

Track-3R

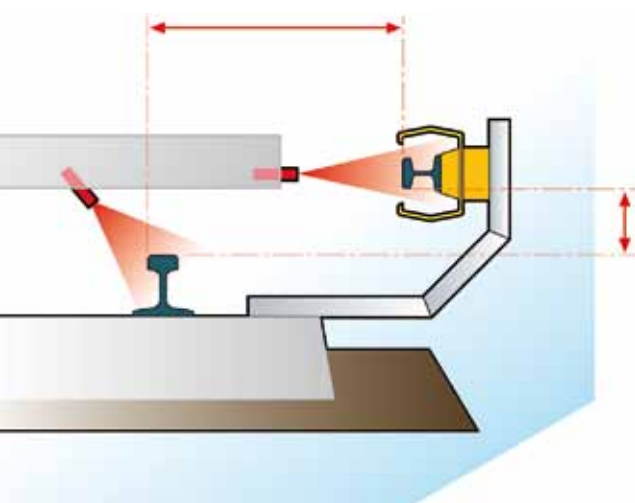
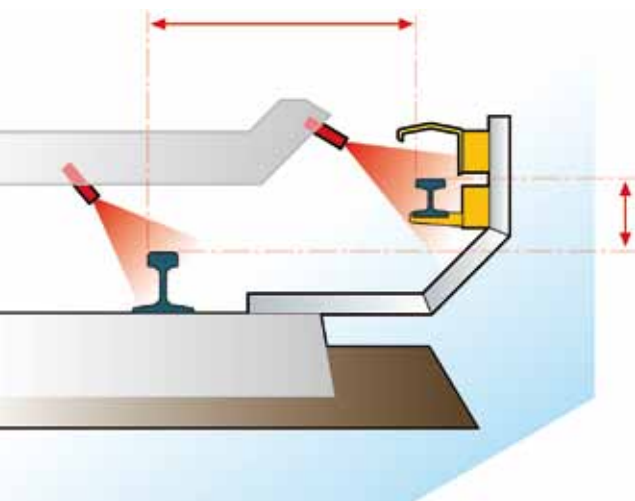
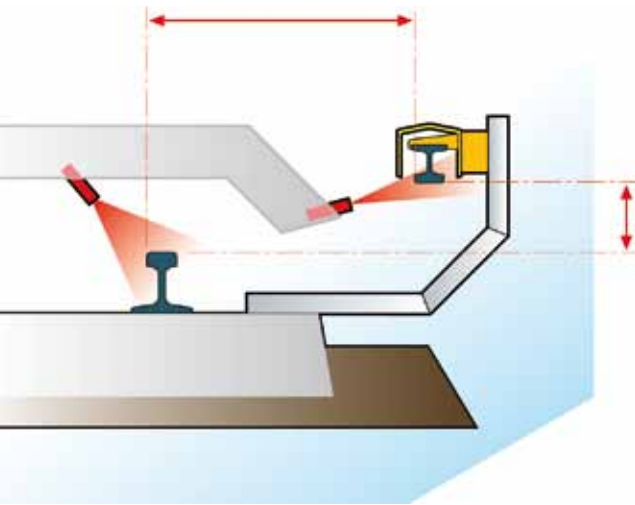
Devices for third rail inspection, diagnostic and measurements

High speed laser systems for measuring third rail position and wear



Track-3R

Devices for third rail inspection, diagnostic and measurements



- Vertical position of third rail
- Horizontal position of third rail
- Profile of third rail contact surface
- Wear of third rail contact surface
- Clearance detection of third rail structure
- Accelerations of third rail contact shoes